

Product data sheet

Characteristics

XMLP300PD230

Electronic pressure sensors, Pressure sensors XM, transmitter, XMLP, 300 PSI, 1/4"18NPT, 4...20 mA, M12, set 1



Product availability: Stock - Normally stocked in distribution facility

Price*: 105.00 USD



Main

| | |
|---------------------------|-----------------------------|
| Range of product | OsiSense XM |
| Product or component type | Electronic pressure sensors |
| Pressure sensor type | Pressure transmitter |
| Pressure sensor name | XMLP |
| Electrical circuit type | Control circuit |
| Pressure sensor size | 300 Psi (2068.43 kPa) |
| Local display | Without |
| Current consumption | < 23 mA |
| Type of output signal | Analogue |
| Quantity per set | Set of 1 |
| Type of packing | Individual |

Complementary

| | |
|---|--|
| Pressure setting range | 0...300 Psi (0.00...2068.43 kPa) |
| Maximum permissible accidental pressure | 900 Psi (6205.28 kPa) |
| Destruction pressure | 2200 Psi (15168.47 kPa) |
| Materials in contact with fluid | Stainless steel AISI 316L |
| Operating position | Any position |
| Protection type | Load short-circuit Reverse polarity |
| [Uimp] rated impulse withstand voltage | 0.5 KV |
| Measurement accuracy | +/- 0.5 % of the measuring range |
| Accuracy | 0.1 % of the measuring range |
| Drift of the sensitivity | +/- 0.02 % of measuring range/°K |
| Drift of the zero point | +/- 0.02 % of measuring range/°K |
| Mechanical durability | 10000000 Cycles |
| Net weight | 0.19 Lb(US) (0.088 kg) |

| | |
|----------|-----------------|
| Diameter | 1.02 In (26 mm) |
| Length | 1.42 In (36 mm) |

Environment

| | |
|---------------------------------------|---------------------------------|
| Standards | EN/IEC 61326-2-3 NSF ANSI 61 |
| Product certifications | CE CULus RCM EAC |
| Protective treatment | TC |
| Ambient air temperature for operation | -22...185 °F (-30...85 °C) |
| Ambient air temperature for storage | -58...212 °F (-50...100 °C) |

Ordering and shipping details

| | |
|-----------------------|--|
| Category | 22419 - PRESSURE SWITCH IEC (HIGH,LOW,GEN) |
| Discount Schedule | DS2 |
| GTIN | 3389119639996 |
| Nbr. of units in pkg. | 1 |
| Package weight(Lbs) | 3.07 Oz (87 g) |
| Returnability | Yes |
| Country of origin | CH |

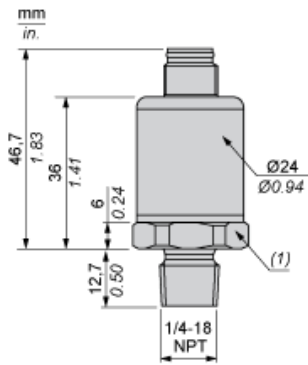
Packing Units

| | |
|------------------------------|------------------------|
| Unit Type of Package 1 | PCE |
| Package 1 Height | 1.65 In (4.2 cm) |
| Package 1 width | 1.65 In (4.2 cm) |
| Package 1 Length | 3.43 In (8.7 cm) |
| Unit Type of Package 2 | S01 |
| Number of Units in Package 2 | 24 |
| Package 2 Weight | 5.04 Lb(US) (2.287 kg) |
| Package 2 Height | 5.91 In (15 cm) |
| Package 2 width | 5.91 In (15 cm) |
| Package 2 Length | 15.75 In (40 cm) |

Offer Sustainability

| | |
|----------------------------|---|
| Sustainable offer status | Green Premium product |
| California proposition 65 | WARNING: This product can expose you to chemicals including: Diisononyl phthalate (DINP), which is known to the State of California to cause cancer, and Di-isodecyl phthalate (DIDP), which is known to the State of California to cause birth defects or other reproductive harm. For more information go to www.P65Warnings.ca.gov |
| REACH Regulation | REACH Declaration |
| EU RoHS Directive | Pro-active compliance (Product out of EU RoHS legal scope) EU RoHS Declaration |
| Mercury free | Yes |
| RoHS exemption information | Yes |
| Environmental Disclosure | Product Environmental Profile |

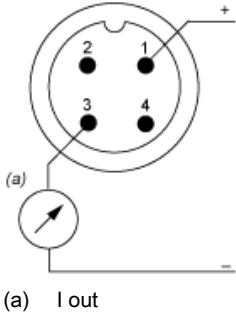
Dimensions



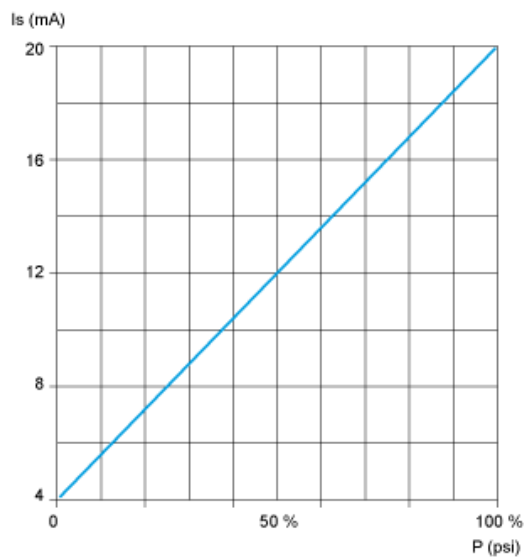
(1) SW24 tightening torque ≤ 25 N.m / 221 lb-in

Wiring Diagram

2-Wire Technique (4-20 mA)



Curves



Product Life Status : **Commercialised**